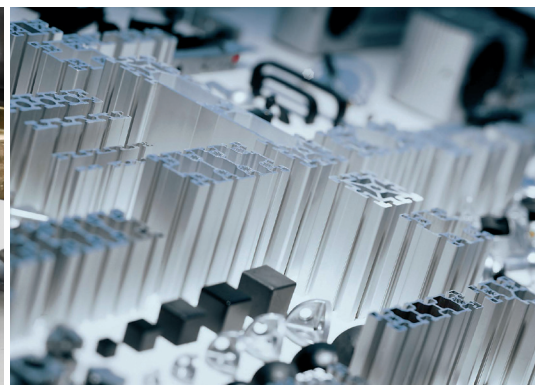


Unic Stainless Cylinder

Individual solutions!



UNIC
STAINLESS CYLINDER

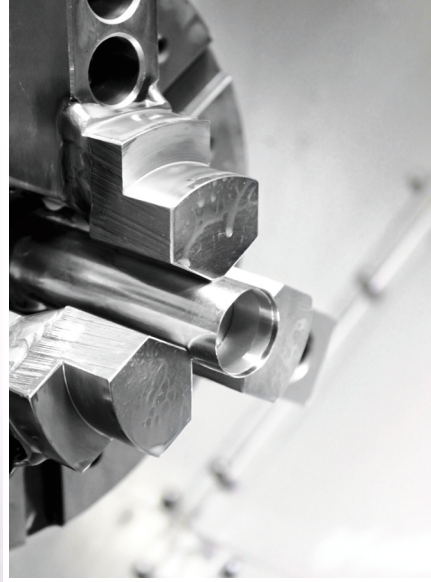
HNC Group is part of
momentum
group



Conventional
Aluminium-Cylinder



Unic Stainless Cylinder®



UNIC Stainless Cylinder®

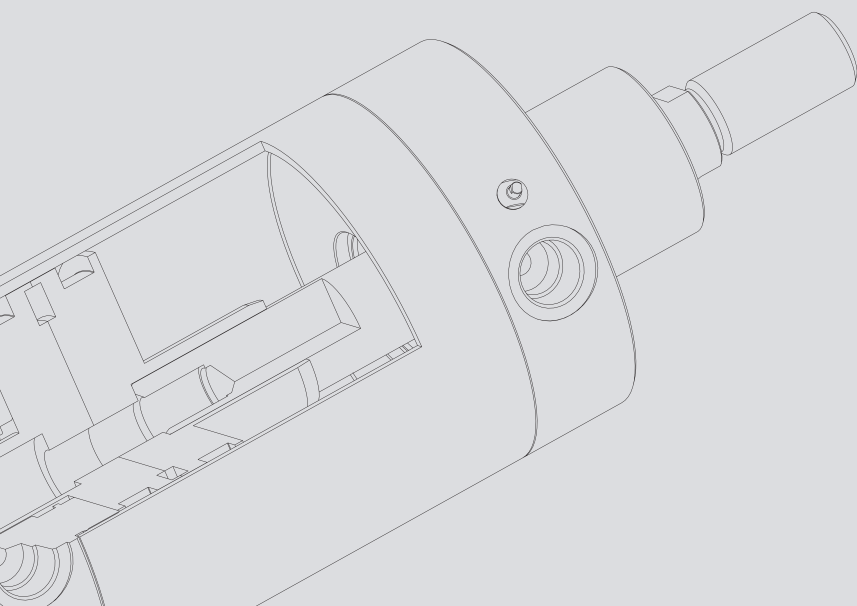
The machines in the food industry require pneumatic cylinders which, due to the special environments as well as frequent cleaning with strong cleaning agents, need to be more sturdy and durable. Our stainless steel cylinders meet all these challenges and much more!

UNIC Stainless Cylinder® are pneumatic stainless steel cylinders - developed and manufactured by HNC Technik. A quality product made of stainless steel, especially designed with the high demands of the food and pharmaceutical industries in mind. Due to the practical and slim design of the UNIC Stainless Cylinder®, they can be cleaned and maintained quickly.

Thanks to the mentioned advantages and very flexible production, HNC Technik is increasingly establishing itself on the German market. A few of the largest companies in the food and pharmaceutical industry are already among our customers.

One of the largest standard programs in the world!

Due to our self-developed modular system for stainless steel cylinders and our dedicated employees, we have a standard program of over 900,000 different models.



High quality

Many of our stainless steel cylinders are designed and developed according to various DIN/ISO standards.



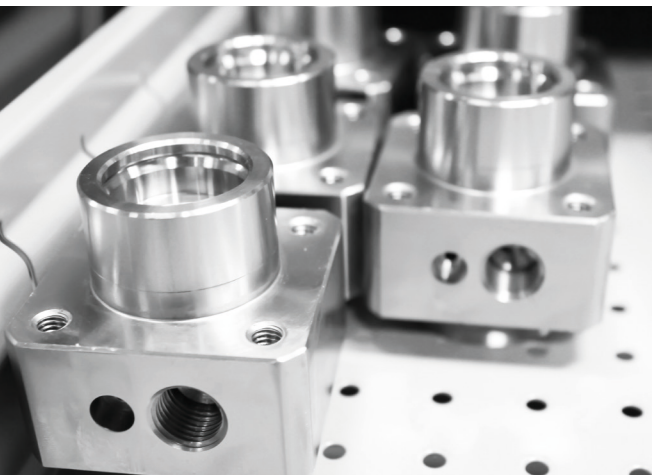


DIN/ISO 6431

Diameter: $\varnothing 12 - \varnothing 25$ mm
 Stroke: 10 - 500 mm (Standard cylinder)
 Max. stroke: 1000 mm (Special cylinder)
 With scanning magnet and adjustable brake.

Also available with the following features:

- Chemical resistant
- Heat resistant up to $+150^{\circ}\text{C}$

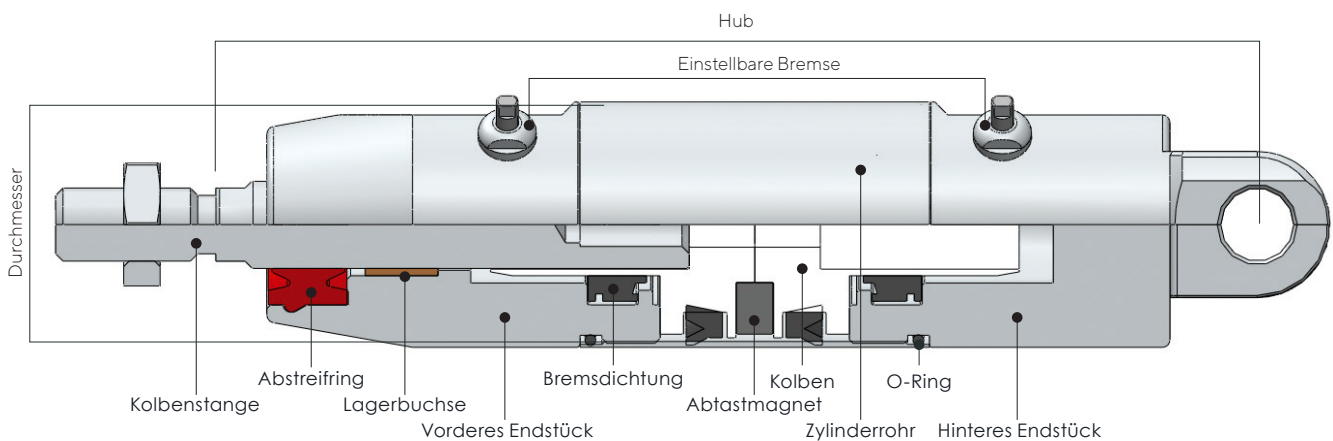


DIN/ISO 15552

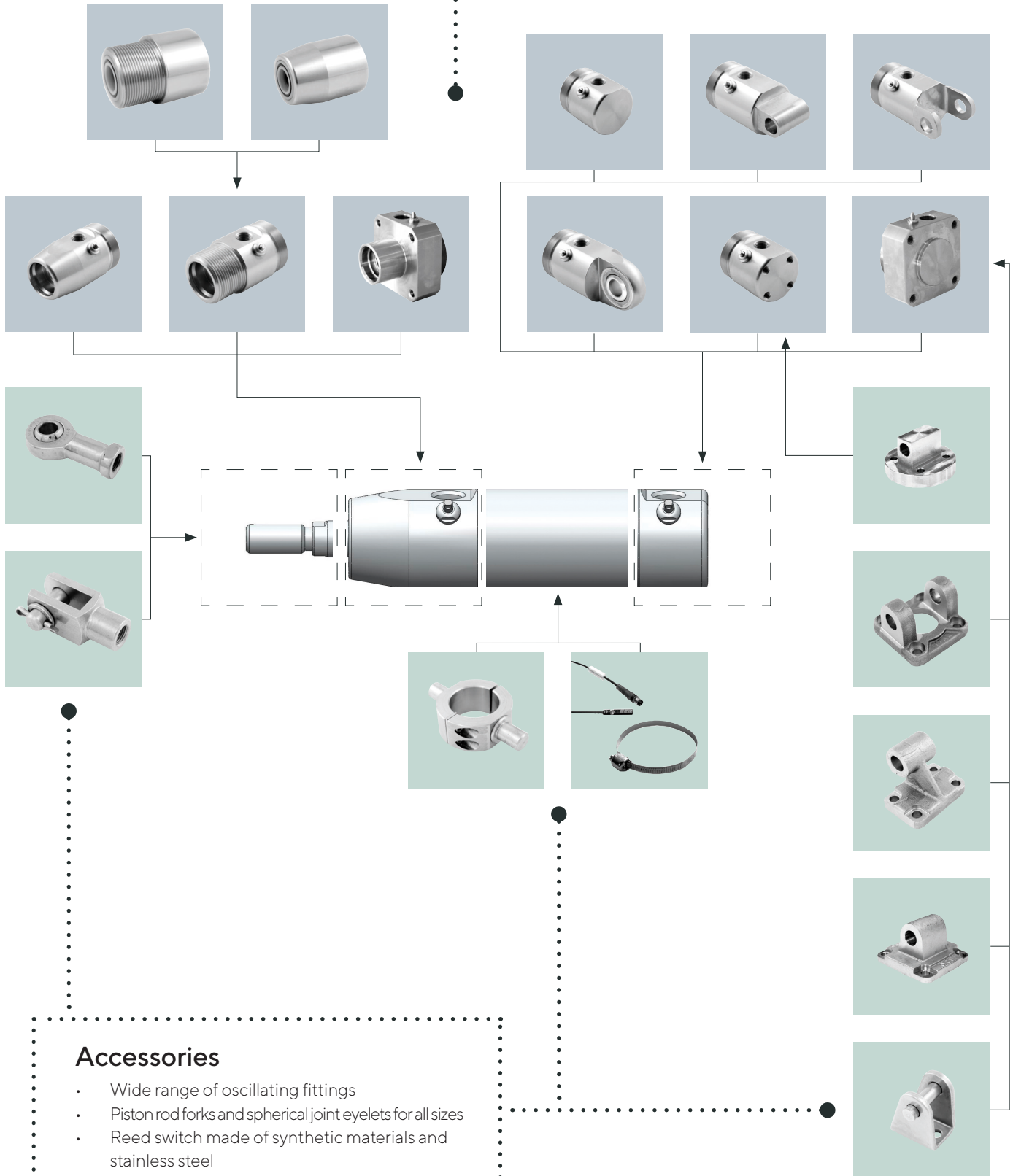
Diameter: $\varnothing 32 - \varnothing 160$ mm
 Stroke: 10 - 500 mm (Standard cylinder)
 Max. stroke: 2000 mm (Special cylinder)
 With scanning magnet and adjustable brake.

Also available with the following features:

- Chemical resistant
- Heat resistant up to $+150^{\circ}\text{C}$



UNIC Stainless Cylinder® is an adaptable cylinder program with a very special design, so you can put together your own program. The cylinders are supplied with integrated fittings and can be easily disassembled and maintained.



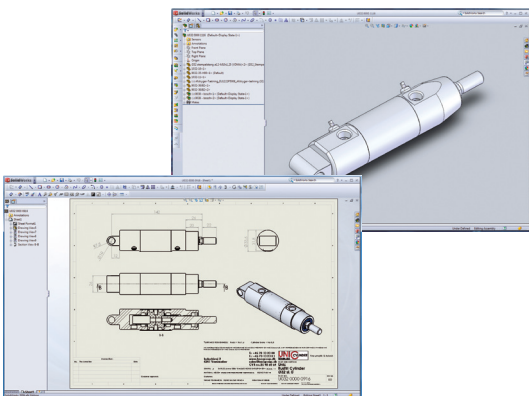
Accessories

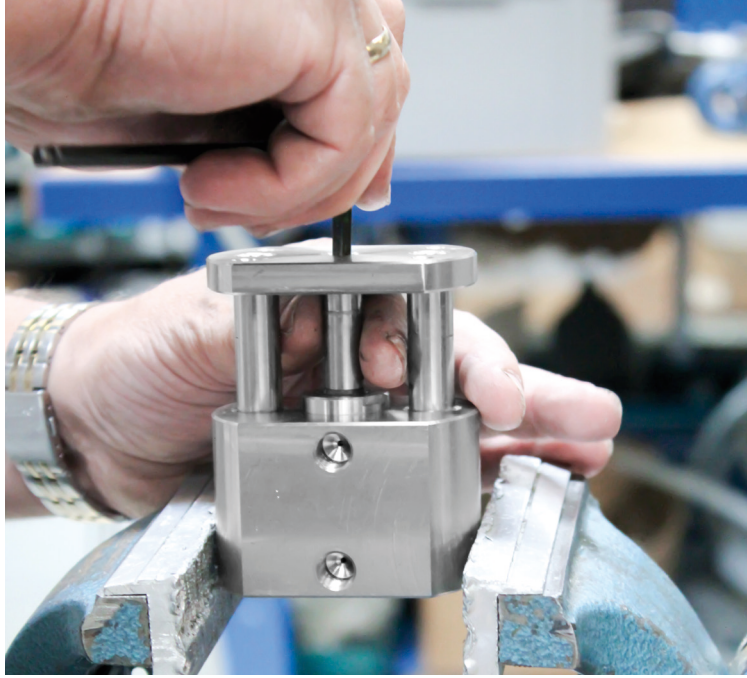
- Wide range of oscillating fittings
- Piston rod forks and spherical joint eyelets for all sizes
- Reed switch made of synthetic materials and stainless steel
- Sets of spare parts in all sizes
- Maintenance instructions and documentation



Cylinders according to customer requirements

We manufacture various special solutions, e.g. dosing cylinders up to $\text{Ø}160$ mm with a whey tire flange connection for quick and easy assembly. We also supply stainless steel cylinders with adjustable stroke.





**Incredibly
short
delivery times!**

The UNIC Stainless Cylinder® have made a name for themselves not only because of their excellent quality.

Both standard cylinders and custom-made products can be manufactured from one day to the next. Hence the unbeatable short delivery times!



Follow us



www.hncgroup.dk

HNC
GROUP



Borgergade 17 | 4241 Vemmelev



+45 7013 2300



sales@hncgroup.dk



www.hncgroup.dk

HNC Group is part of 
momentum
group

